

Fluid	Valve	Flexible Outlet	Flexible Inlet	Outlet
Compressed Air CA	1715 ESP (Wall 12mm)	950988 SS hose 700mm 90° Female Thread 3/8 x Male Thread 3/8	950989 SS hose 1500mm Male Thread 3/8 x Female Thread 3/8	6716 ESP (CA) (S 75)
Vacuum V	1714 ESP (Wall 12mm)	950988 SS hose 700mm 90° Female Thread 3/8 x Male Thread 3/8	950989 SS hose 1500mm Male Thread 3/8 x Female Thread 3/8	6716 ESP (V) (S 75)
Nitrogen N2	1716 ESP (Wall 12mm)	950988 SS hose 700mm 90° Female Thread 3/8 x Male Thread 3/8	950989 SS hose 1500mm Male Thread 3/8 x Female Thread 3/8	6716 ESP (N2) (S 75)
Argon Ar	1716 ESP (Wall 12mm)	950988 SS hose 700mm 90° Female Thread 3/8 x Male Thread 3/8	950989 SS hose 1500mm Male Thread 3/8 x Female Thread 3/8	6716 ESP (Ar) (S 75)



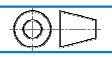
Grifería de Laboratorio
Laboratory Taps

C/ Compositor Narváez 10
08191 Rubí (Barcelona)
España
(+34) 935 860 780
info@carlosarboles.com
www.carlosarboles.com

REV: D
FECHA / DATE: 13/04/2023
APROBADO / APPROVED: Jaume Muñoz
DIBUJADO / DRAWN: MV
FECHA / DATE: 11/01/2023

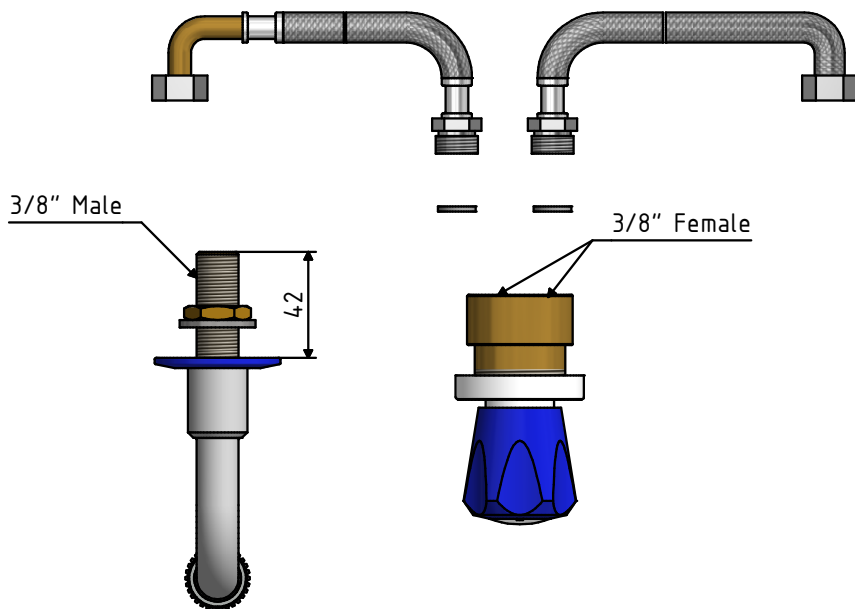
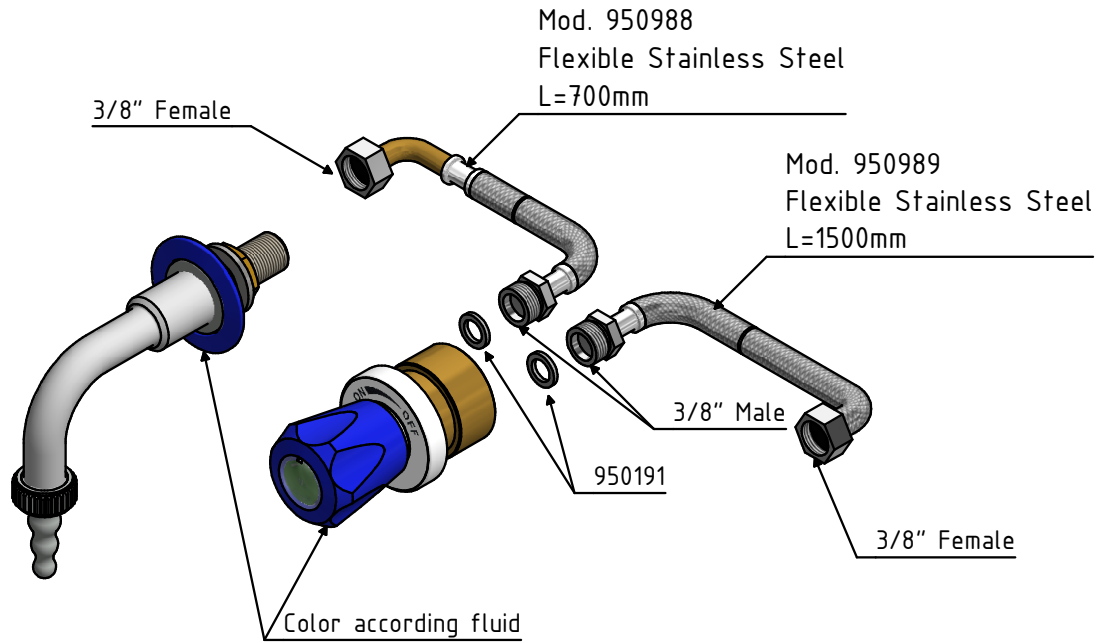
DIMENSIONES EN MILÍMETROS
PUEDEN VARIAR ±2mm
DIMENSIONS IN MILLIMETERS
MAY VARY BY ±2mm

TAMAÑO / SIZE ESCALA / SCALE
DIN A4 1:3



REF. 009911058 Front control valve and outlet for Technical Gases with flexible Stainless Steel tubes

Este plano es propiedad de Carlos Arboles S.A. estando prohibida su reproducción y entrega a terceros sin previa autorización de Carlos Arboles S.A.
This drawing is owned by Carlos Arboles S.A. prohibited its reproduction and delivery to third parties without prior permission of Carlos Arboles S.A.



CARLOS ARBOLES

Grifería de Laboratorio
Laboratory Taps



C/ Compositor Narváez 10
08191 Rubí (Barcelona)
España
(+34) 935 860 780
info@carlosarboles.com
www.carlosarboles.com

REV: D
FECHA / DATE: 13/04/2023
APROBADO / APPROVED: Jaume Muñoz
DIBUJADO / DRAWN: MV
FECHA / DATE: 11/01/2023

DIMENSIONES EN MILÍMETROS
PUEDEN VARIAR ± 2 mm

DIMENSIONS IN MILLIMETERS
MAY VARY BY ± 2 mm

TAMAÑO / SIZE ESCALA / SCALE
DIN A4 1:3



REF.
009911058

Front control valve and outlet for Technical Gases with flexible Stainless Steel tubes

Este plano es propiedad de Carlos Arboles S.A. estando prohibida su reproducción y entrega a terceros sin previa autorización de Carlos Arboles S.A.
This drawing is owned by Carlos Arboles S.A. prohibited its reproduction and delivery to third parties without prior permission of Carlos Arboles S.A.